

salton®

Compact Refrigerator



Instruction Booklet
Model: CF-2020, CF-2021 & CF-2028

INTRODUCTION

Your new refrigerator has no compressor and as such is environmentally friendly, needing no special disposal precautions other than those listed in the Important Safeguards section of this manual.

Cooling is done using thermoelectric circuits. This uses the ambient air around the unit, which is cooled when drawn in. The warm air is exhausted through the vents. Because of this requirement for free flowing air, it should not be enclosed and must have adequate ventilation.

The fridge temperature range is between 5°C – 12°C (41° – 53.6°F) if the ambient temperature is 20°C (68°F). The fridge temperature range will fluctuate if the ambient temperature is lower or higher than 20°C (68°F).

NOTE: Only refrigerate products that can be stored safely within the temperature range of this appliance.

IMPORTANT SAFEGUARDS

1. Read all instructions before using the refrigerator.
2. Do not place any other household appliances on top of the refrigerator.
3. Do not place this appliance in direct sunlight or use in a very warm and/or humid location.
4. This product requires adequate ventilation to function correctly. It is not designed for recessed or enclosed area installation. Please see the Installing your New Refrigerator section for ventilating requirements.
5. Do not operate any appliance with a damaged cord or plug or after the appliance malfunctions, or has been damaged in any manner. Do not repair or replace any part of the refrigerator. Return appliance to SWG Canada for examination, repair or adjustment. See Warranty section.
6. Failure to unplug the appliance during cleaning could result in electrical shock or personal injury.
7. If unplugging or moving the refrigerator, please do not re-connect it for at least five minutes to allow the circuits to reset. Damage may occur if it is re-connected too soon.
8. **CAUTION:** Risk of child entrapment: Before disposing of any refrigerator, take off the doors. Leave the shelves so children may not easily climb inside. Never allow children to operate, play with or crawl inside the refrigerator.
9. Never clean refrigerator parts with flammable fluids. The fumes can create a fire hazard or explosion.

- Do not store or use gasoline or any other flammable vapors and liquids in the vicinity of this or any other refrigerator. The fumes can create a fire hazard or explosion.

SAVE THESE INSTRUCTIONS

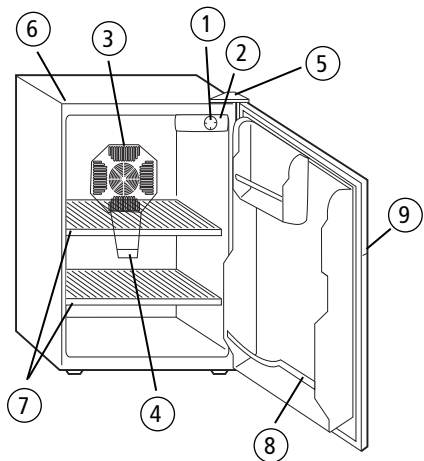
HOUSEHOLD USE ONLY

GROUNDING PLUG

To reduce the risk of electric shock this appliance has a grounded plug. (2 blades and 1 pin). If the plug does not fit fully into the electrical outlet contact a qualified electrician. Do not modify the plug in any way or use an adaptor.

DESCRIPTION OF PARTS

- Temperature Control Knob
- Light
- Fan Cover
- Drain
- Top Hinge Cover
- Screw Hole Cover
- Shelves
- Door Racks
- Magnetic Gasket
- Drip Tray (behind refrigerator)



INSTALLING YOUR NEW REFRIGERATOR

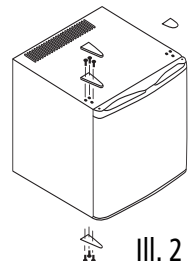
- Remove all interior and exterior packaging.
- Wipe the Refrigerator with a soft damp cloth.
- Place the Drip Tray at the back of the Refrigerator. The Drip Tray has 2 holes that fit over the plastic tabs to secure it in place.
- This appliance is designed to be free standing only and should not be recessed or built-in. Allow a 2 cm (3/4") space on the sides, 10 cm (4") space at the top and 5 cm (2") space at the back of the refrigerator to allow for proper air circulation.

5. Place the Refrigerator in a convenient location away from direct sunlight, sources of heat (stove, heater, etc.) and humidity. The refrigerator is not designed for storage in hot areas since it is designed to operate at a maximum of 17°C (30°F) below the ambient temperature.
6. Do not store in any location not properly insulated or heated, e.g. garage etc. Your Refrigerator was not designed to operate in temperatures below 12.8°C (55°F). In extreme cold ambient temperatures the refrigerator will not perform properly.
7. Place your refrigerator on a floor that is strong enough to support the refrigerator when it is fully loaded.
8. Make sure all shelves and other parts listed in the Description of Parts section are in place.
9. Use an exclusive wall outlet. Do not connect your refrigerator to extension cords or together with any other appliance in the same wall outlet. If the power cord is too short, have a qualified electrician or service technician install an outlet near the appliance.
10. Secure the power cord behind the refrigerator so it cannot be tripped over.

REVERSING THE DOOR

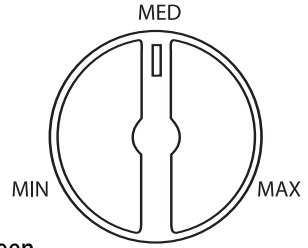
Your new refrigerator has been built to open from the right. However, it has been designed to open from either side and can easily be changed by following the procedure below. You will need a Philips (+) screwdriver for this. A putty knife or other thin flat device can be used to remove the hinge covers. Use care to prevent scratching the surfaces.

1. Unplug the Refrigerator from the wall outlet and empty everything from the Refrigerator door and shelves.
2. Remove the Top Hinge Cover and the Screw Hole Cover on the door and set aside. Remove the 3 screws from the top hinge.
3. Place protective padding behind the Refrigerator. Turn the Refrigerator on its back onto the protective padding.
4. Remove the 3 screws from the bottom hinge.
5. Transfer the hinges into the receptacles on the other side of the door, and thread and secure the six screws in their new location. Replace the hinge covers appropriately. See Diagram.



OPERATION

1. Plug the Refrigerator into a 120 volt AC wall outlet.
2. Set the Temperature Dial to MAX for 2 hours before filling the refrigerator.
3. After 2 hours, adjust the Temperature Dial between the MIN and MAX markings. The Refrigerator will automatically maintain the temperature level you select. The MED setting should be appropriate for most needs.



NOTE: The interior light may blink if you reset the temperature knob to a level warmer than the actual interior level. This indicates that it is actively warming and is normal.

CARE AND CLEANING

1. Unplug the refrigerator and remove the food and shelves. **NOTE:** Failure to unplug the refrigerator could result in electric shock or personal injury.
2. This model uses a thermoelectric cooling system with an automatic defrosting system so there is no need to defrost manually.
3. Wipe the inside of the Refrigerator and the Door Gasket with a cloth or sponge dampened in a warm water and baking soda solution, 60 ml (2 tbsp) baking soda to 1 litre/quart of water.
4. Wash the shelves with mild detergent.
5. The exterior should be cleaned with a soft cloth dampened in mild detergent and warm water.
6. Wring excess water out of the cloth before cleaning any areas that have the controls or electrical parts.
7. Do not use abrasive cleansers, which can damage or scratch the finish.
8. Clean Door Gaskets every three months. Gaskets must be kept clean and pliable to assure a proper seal.

9. Occasionally there may be power interruptions due to thunderstorms or other causes. Remove the power cord from the AC outlet when a power outage occurs. When power has been restored, plug power cord back into the AC outlet. Most power failures are corrected within a few hours and should not affect the temperature of your refrigerator if you minimize the number of times the door is opened. If the power is going to be off for a longer period of time, you may need to take the proper steps to protect your food.
10. For long vacations or absences (over 3 weeks), unplug the refrigerator and empty food. Once the Fridge reaches room temperature, clean and dry the Fridge interior and door gaskets. To prevent odour and mold growth, leave the door open slightly so air can circulate inside.

HELPFUL HINTS

1. Locate the refrigerator in the coolest area of the room, away from heat producing appliances and out of direct sunlight.
2. Overloading the refrigerator forces the thermoelectric cooling system to run longer.
3. Reduce door openings and extended searches, remove as many items as required at one time, and close the door as soon as possible.
4. Thermoelectric refrigerators require a longer period of time to recover from having the door opened and shut frequently. It may take longer for the temperature to return to its setting once the door has been opened for a long period. This is normal for this type of refrigerator.
5. Thermoelectric technology costs very little to operate. It is environmentally friendly due to the lack of CFC's.

TROUBLESHOOTING

PROBLEM	SOLUTION
Refrigerator does not operate	<ul style="list-style-type: none"> • Make sure the Refrigerator is plugged in • Check if there is power at the AC outlet Circuit breaker may have tripped or fuse blown
Temperature is to warm	<ul style="list-style-type: none"> • Room temperature is hotter than normal • Frequent door openings • Allow time for recently added warm food to cool • Door is not closed completely • Check gaskets for proper seal • The refrigerator does not have the correct clearances • Adjust temperature control to a colder setting
Temperature is too cold	<ul style="list-style-type: none"> • Temperature control setting is too low Adjust to a warmer setting and allow several hours for temperature to adjust
Moisture on interior or exterior of refrigerator	<ul style="list-style-type: none"> • This is normal during high humidity periods • Prolonged or frequent door openings • Check door gaskets for proper seal
Refrigerator has an odour	<ul style="list-style-type: none"> • Interior needs cleaning • Foods improperly wrapped or sealed are giving off odours
Refrigerator door does not shut properly	<ul style="list-style-type: none"> • Re-align refrigerator door • Check for blockages. e.g. food containers, shelves, etc.
Refrigerator making noise	<ul style="list-style-type: none"> • Ensure that the refrigerator is level • Check that nothing inside is wobbling • Check that nothing has fallen behind the refrigerator

A short supply cord is provided to reduce the hazards of becoming entangled in or tripping over a long cord. Do not use an extension cord with this appliance. If the power cord is too short, have a qualified electrician or service technician install an outlet near the appliance.

LIMITED WARRANTY

SWG Canada warrants that this appliance shall be free from defects in material and workmanship for a period of one year from the date of purchase. During this 'in-warranty' period, defective products will be repaired or replaced at the discretion of the retailer and/or SWG Canada. This warranty covers normal domestic usage and does not cover damage which occurs in shipment or failure which results from alteration, accident, misuse, abuse, glass breakage, neglect, commercial use or improper maintenance.

A defective product should be returned to the original place of purchase within the retailer's stipulated return/exchange period*. If you are unable to have a defective product replaced under warranty by the retailer, please check our website at "www.salton.com" for the service centre nearest you. You may also contact us for assistance by mail, e-mail, fax or telephone as listed below.

To ensure prompt 'in-warranty' service securely package and return the product to us prepaid. Be sure to include the original proof of purchase and a description of the defect along with your address and zip/postal code.

For repairs not covered by the warranty, please contact us for assistance.

salton®

SWG CANADA

Division of Salton Appliances (1985) Corp.

Customer Service Department

81A Brunswick

Dollard-des-Ormeaux

Quebec, Canada H9B 2J5

Website: www.salton.com

E-mail: service@salton.com

Fax: 514-685-8300

Tel: 514-685-3660

* Return/exchange policies at each retailer vary and may differ from the SWG Canada 1 year limited warranty period.