

salton®

Compact Refrigerator



Instruction Booklet
Model: CF-2001 & CF-2005

INTRODUCTION

Your new refrigerator has no compressor and as such is environmentally friendly, needing no special disposal precautions other than those listed in the Important Safeguards section of this manual.

Cooling is done using thermoelectric circuits operating on the 'Peltier Effect', more popularly known as induction cooling. This uses the ambient air around the unit which is cooled when drawn in. The warm air is exhausted through the vents. Because of this requirement for free flowing air, it should not be enclosed and must have adequate ventilation.

Product Characteristics:

- Environmentally friendly: No refrigeration agents. No pollution.
- No moving parts: Semiconductor refrigeration. No compressor.
- Quiet operation – no compressor moving noise.
- Accurate temperature control – uses linear control technology. Refrigeration power is controlled by inner temperature.
- Temperature control range: 5° C – 18° C. (41° – 64° F)

IMPORTANT SAFEGUARDS

1. Do not place any other household appliances on top of the refrigerator.
2. Do not place this appliance in direct sunlight or use in a very warm and/or humid location.
3. This product requires adequate ventilation to function correctly. It is not designed for recessed or enclosed area installation. Please see the 'Installing your New Refrigerator' section for ventilating requirements.
4. Do not operate any appliance with a damaged cord or plug or after the appliance malfunctions, or has been damaged in any manner. Return appliance to SWG Canada for examination, repair or adjustment. See Warranty.
5. If you will not be using the refrigerator for an extended period, unplug it and open the door. Wipe any condensation off after the inside reaches room temperature.
6. If unplugging or moving the refrigerator, please do not re-connect it for at least five minutes to allow the circuits to reset. Damage may occur if it is re-connected too soon.
7. **IMPORTANT:** When disposing of this product or storing it unattended, please remove the door and leave shelves in place. This prevents the danger of serious harm to small children.

SAVE THESE INSTRUCTIONS

HOUSEHOLD USE ONLY

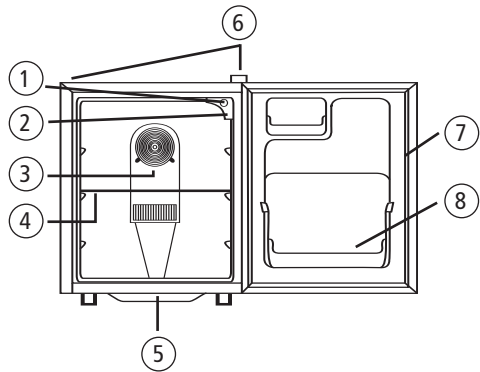
GROUNDING PLUG

To reduce the risk of electric shock this appliance has a grounded plug. (2 blades and 1 pin) If the plug does not fit fully into the electrical outlet contact a qualified electrician. Do not modify the plug in any way or use an adaptor.

Use an exclusive wall outlet. Do not connect your refrigerator to extension cords or together with any other appliance in the same wall outlet.

DESCRIPTION OF PARTS

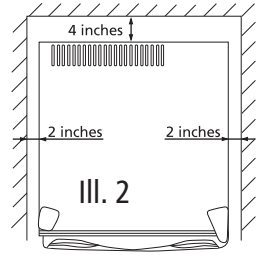
1. Temperature Control Knob
2. Light
3. Fan Cover
4. Shelf
5. Drip Tray
6. Hinge Covers
7. Magnetic Seal
8. Bottle Rack



INSTALLING YOUR NEW REFRIGERATOR

1. Remove all packaging.
2. Wipe the refrigerator with a soft damp cloth.
3. Place the unit in a convenient location away from direct sunlight, heat, and humidity.
4. Place the Refrigerator on a dry level surface.

5. Make sure all shelves and other listed parts are in place.
6. Ensure there is a minimum 2 inch (5 cm) clearance on all sides and 4 inches (10 cm) from the back wall. (See Ill. 2)



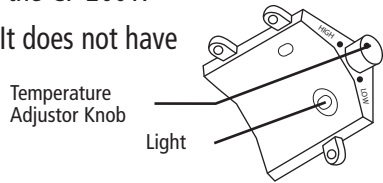
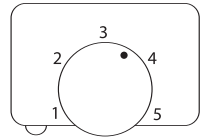
OPERATION

1. Plug the Refrigerator into a 120 volt AC wall outlet.
2. Set the temperature control knob to coldest setting 'Low' on model CF-2001 or 5 on model CF-2005. Close the door and let the Refrigerator operate for 15 – 20 minutes.
3. Once started, the unit will cool to its lowest temperature in about two hours when empty. **NOTE:** The interior light may blink if you reset the temperature knob to a level warmer than the actual interior level. This indicates that it is actively warming and is normal.

Temperature Control

To control the internal temperature, adjust the temperature dial between 1 (warmest) and 5 (coldest) on the CF-2005 and 'High' (warmest) and 'Low' (coldest) on the CF-2001.

The Dial may be set any place on the scale. It does not have to be set exactly on a number.



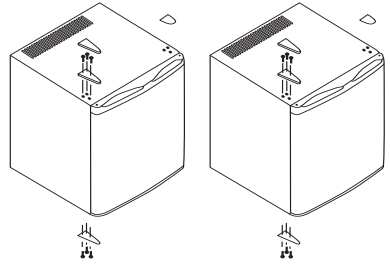
TROUBLESHOOTING

1. If the interior seems too warm, check that the door has not been opened too frequently or left open for long periods. See that there is room for sufficient air circulation inside and that the refrigerator is not overfilled. Make sure cooked food is cooled to room temperature before placing it into the refrigerator.
2. If the refrigerator is making noise, check that it is level and that nothing inside is wobbling. Also ensure that nothing has fallen behind that could be vibrating.

REVERSIBLE DOOR

Your new refrigerator has been built to open from the right, however, it has been designed to open from either side and can easily be changed by following the procedure below. You will need a Philips (+) screwdriver for this. A putty knife or other thin flat device can be used to remove the hinge covers. Use care to prevent scratching the surfaces.

1. Unplug the Refrigerator from the wall outlet and empty everything from the Refrigerator door and shelves.
2. Remove the 2 top hinge covers and the screw hole cover on the door and set aside.
3. Place protective padding behind the Refrigerator. Turn the Refrigerator on its back onto the protective padding.
4. Remove the six screws from the current hinges (three on the top, and three on the bottom).
5. Transfer the hinges into the receptacle on the other side of the door. Thread and secure the six screws in their new location. Replace the hinge covers appropriately. See Diagram above.



CARE AND CLEANING

1. Unplug the refrigerator and remove the food and shelves.
2. Wash the inside with warm water and baking soda solution. (2 tbsp./60 ml baking soda to 1 quart/litre of water).
3. Wash the shelf with mild detergent.
4. The exterior should be cleaned with a soft cloth dampened in mild detergent and warm water.
5. Wring excess water out of the cloth before cleaning any areas that have the controls or electrical parts.
6. Do not use abrasive cleansers which can damage or scratch the finish.
7. There is a filter on the outside back panel of the refrigerator. This should be checked periodically to make sure that it is clean. If not, wash under warm running water. Let dry, then place back into the filter holder.

LIMITED WARRANTY

SWG Canada warrants that this appliance shall be free from defects in material and workmanship for a period of one year from the date of purchase. During this 'in-warranty' period, defective products will be repaired or replaced at the discretion of the retailer and/or SWG Canada. A defective product should be returned to the original place of purchase within the retailer's stipulated return/exchange period*. If you do not wish or are unable to have a defective product replaced under warranty by the retailer, SWG Canada will repair or replace the defective product without charge. You may contact us for assistance by mail, e-mail, fax or telephone as listed below.

This warranty covers normal domestic usage and does not cover damage which occurs in shipment or failure which results from alteration, accident, misuse, abuse, glass breakage, neglect, commercial use or improper maintenance.

To ensure prompt 'in-warranty' service be sure you have an original proof of purchase. You may be asked to return the product to us along with a description of the defect and your address, zip/postal code.

For repairs not covered by the warranty, please contact us for assistance.

salton[®]

SWG CANADA

Customer Service Department

81A Brunswick

Dollard-des-Ormeaux

Quebec, Canada H9B 2J5

Website: www.salton.com

E-mail: service@salton.com

Fax: 514-685-8300

Tel: 514-685-3660

* Return/exchange policies at each retailer vary and may differ from the SWG Canada 1 year limited warranty period.