



salton[®]

coffee, spice
& herb grinder



Instruction Booklet
Model CG1462

IMPORTANT SAFEGUARDS

When using electrical appliances, basic safety precautions should always be followed including the following:

1. Read all instructions carefully before use.
2. To protect against electrical hazards, do not immerse cord, plug or appliance in water or any other liquid or place in the dishwasher.
3. Close supervision is necessary when any appliance is used by or near children. Children should be supervised to ensure that they do not play with the appliance.
4. This appliance is not intended for use by persons (including children) with reduced physical, sensory or mental capabilities or lack of experience and knowledge, unless they have been given supervision or instruction concerning the use of the appliance by a person responsible for their safety.
5. The blade is extremely sharp. Avoid contacting moving parts.
6. **DO NOT** operate any appliance with a damaged cord or plug or after the appliance malfunctions, or is dropped or damaged in any manner. Return appliance to the manufacturer for examination, repair or electrical or mechanical adjustment.
7. All servicing, other than cleaning, should be performed by an authorized service representative. See Warranty section.
8. The use of accessories or attachments not recommended by the manufacturer may cause hazards.
9. **DO NOT** use outdoors.
10. **DO NOT** let cord hang over edge of table or counter, or touch hot surfaces.
11. Before using, ensure that there are no foreign objects in the Grinder.
12. **DO NOT** place the Grinder in the dishwasher. Only the Removable Bowl and Cover are dishwasher safe.
13. **DO NOT** use appliance for other than intended use.
14. **DO NOT** place on or near a hot gas or electric burner or in a heated oven.
15. Unplug from outlet when not in use, when removing or putting on parts and before cleaning.

16. IMPORTANT:

- The Grinder will grind up to 55 grams of coffee beans, enough for approximately 12 cups of coffee, in less than 30 seconds. Grinding coffee beans for longer than 30 seconds will burn the beans.
- As is usual with this type of grinder, the motor should not be run for longer than 30 seconds at a time and then should be allowed to rest for 1 minute.

SAVE THESE INSTRUCTIONS

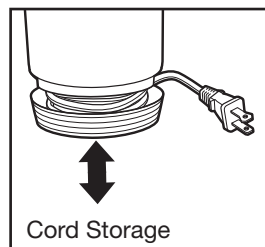
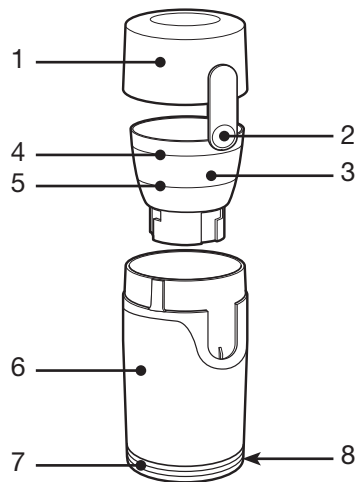
HOUSEHOLD USE ONLY

POLARIZED PLUG

This appliance has a polarized plug (one blade is wider than the other). To reduce the risk of electric shock, this plug will fit in a polarized outlet only one way. If the plug does not fit fully in the outlet, reverse the plug. If it still does not fit, contact a qualified electrician. Do not modify the plug in any way.

DESCRIPTION OF PARTS

1. Cover
2. On/Off Control
3. Removable Grinding Bowl
4. MAX coffee bean marking
5. MAX spice marking
6. Base
7. Cord Storage Cover
8. Cover Storage Notch



BEFORE FIRST USE

1. Remove all packaging.
2. Lift the Cover and remove.
3. Lift the Grinding Bowl and remove.
4. Wash the Cover and Grinding Bowl in warm soapy water or on the top rack of the dishwasher.

IMPORTANT: Be careful when wiping out the Grinding Bowl, the blade is very sharp.

5. Reassembly the Grinder by placing the Grinding Bowl back in the Base. Turn The Grinding Bowl clockwise until it drops into the Base.
6. Place the Cover over the Grinding Bowl onto the Base. The On/Off Switch must be lined up with the recessed area in the Base.
IMPORTANT: The Grinder has a Cover Interlock safety system and will not turn on if it is not assembled correctly.
7. Ensure that the Grinding Bowl and Cover are completely dry before using.

Power Cord

To extract the Power Cord from the Cord Storage gently pull down the Cord Storage Cover and unwind as much of the Power Cord as you need to reach the wall outlet. Feed the Power Cord through the Cord Storage Notch then push the Cord Storage Cover back into place.

HOW TO USE

1. Remove Cover and ensure that the Grinder is empty and clean.
2. Place coffee beans or spices into the Grinding Bowl. DO NOT fill past the MAX markings on the Grinding Bowl. Replace the Cover.
3. Place on a flat, level surface and plug the Grinder into the wall outlet.
4. Press the On/Off Control. If you release the pressure from the 'On/Off' Control, the Grinder will stop automatically.

NOTE: The Grinder has a Cover Interlock safety system and will not turn on if it is not assembled correctly.

5. When the desired grind is obtained release the 'On/Off' Control Button. DO NOT REMOVE THE COVER UNTIL THE BLADE COMES TO A COMPLETE STOP. You may wish to grind in short intervals, then check to see if more grinding is necessary. If so, simply repeat the above steps, up to 30 seconds at a time.

NOTE: The Grinder should not be run for longer than 30 seconds at a time and then should be allowed to rest for 1 minute.

6. When the Blades have stopped, unplug the Grinder, remove the Cover and the contents from the Grinding Chamber.
7. Unplug the Grinder after use.

Grinding Coffee Beans

The Grinder will grind up to 55 grams of coffee beans at a time. This is enough for approximately 12 cups of coffee.

Experimenting with the Grinder will enable you to get exactly the grind you prefer for your coffee. A fine grind exposes more surface to the water and therefore a more rapid rate of extraction of flavour. A coarser grind, which exposes little surface, is appropriate for the longer brewing cycle of percolators. Check your coffee maker instructions for the type of grind that is best.

For the freshest, most robust cup of coffee, grind only enough coffee for the pot you are making. If you are making a large pot, you may need to grind in two batches. Coffee beans will keep up to 2 months in the freezer (in an airtight container) and can be ground while still frozen. Fresh beans will yield the best flavour and aroma.

Grinding Spices

Spices take on a fresh, more flavourful taste when freshly ground. Peppercorns, when freshly ground, taste totally different from canned pre-ground pepper. Spices such as allspice, cardamom, celery seed, mustard seed & coriander seed grind very well. Hard spices should be in small manageable pieces. Pulse hard spices a few times to break them up before grinding them to a powder. The maximum grinding capacity for peppercorns, whole cloves, coriander seeds and flaxseed are 3 tablespoons. Cinnamon sticks should be broken into thirds before pulsing.

Grinding Herbs

Dried herbs can be combined and ground giving them a more intense flavour.

NOTE: Fresh herbs must be dehydrated and completely dried before grinding. To purchase the Salton dehydrator visit our website at: www.salton.com

Not Recommended

The Grinder will grind most dry or brittle substances. It WILL NOT grind anything which is moist, gummy or extremely hard (chocolate, nuts, whole nutmeg, candied ginger, etc.). It will not make paste from any kind of seeds such as sunflower or sesame.

NOTE: Grinding hard spices such as cinnamon and cloves may cause the plastic cover to pit, discolour or crack. Grains such as corn, wheat, rice barley and rye may also cause damage to the Cover. Chopping, mincing or pureeing of soft foods is not recommended.

CARE AND CLEANING

1. Unplug from the wall outlet once the Blade has stopped.
2. Lift off the Cover and remove.
3. Remove the Grinding Bowl by lifting upwards. Empty contents.
4. Wash the Cover and Grinding Bowl in warm soapy water or on the top rack of the dishwasher.

IMPORTANT:

Be careful when wiping out the Grinding Bowl, the blade is very sharp.

5. If necessary, use a small dry brush to help dislodge dry particles.
 6. Wipe the exterior with a damp cloth.
- NOTE: Never immerse the Grinder in water or any other liquid or place in the dishwasher.**
7. Clean the Grinding Bowl completely after each use to prevent flavours from transferring.
For stubborn odours fill the Grinding Bowl with dry baking soda, place the Cover in position and let stand overnight.
 8. Reassemble the Grinder by placing the Grinding Bowl back in the Base. Turn the Grinding Bowl until it drops into the Base.
 9. Place the Cover over the Grinding Bowl onto the Base. The On/Off Switch must be lined up with the recessed area in the Base.
 10. All servicing, other than cleaning, should be performed by an authorized service representative. See Warranty section.

A short supply cord is provided to reduce the hazards of becoming entangled in or tripping over a long cord. Extension cords may be used if care is exercised in their use. If an extension cord is used, the marked electrical rating of the detachable power-supply cord or extension cord should be at least as great as the electrical rating of the appliance. If the appliance is of the grounded type, the extension cord should be a grounded 3-wire cord. The extension cord should be arranged so that it will not drape over the counter top or table top, where it can be pulled on by children or tripped over.

LIMITED WARRANTY

****The original sales receipt is the only acceptable proof of purchase****

Salton Canada warrants that this appliance shall be free from defects in material and workmanship for a period of two (2) years from the date of original purchase. Salton Canada, at its sole discretion during this warranty period, will repair or replace a defective product or issue a refund. Any refund to the purchaser will be at a pro-rated value based on the remaining period of the warranty. All liability is limited to the amount of the purchase price. This warranty covers normal domestic usage and does not cover damage which occurs in shipment or failure which results from alteration, accident, misuse, abuse, glass breakage, neglect, improper maintenance, use contrary to the operating instructions or commercial use. This warranty is not available to retailers or other commercial purchasers or owners.

This warranty does not include the cost of shipping, which is to be borne by the customer.

TO OBTAIN PROMPT WARRANTY SERVICE:

Contact one of our many Service Centers found on our website
www.salton.com/customer-care

or

Securely package and return the appliance to us. Please enclose:

- Original proof of purchase
- The completed form below with a \$12.50 Return Shipping & Handling fee – either a cheque, money order or credit card (A personal cheque will delay return shipping by 2-3 weeks)

For added protection, we suggest that you use an insured delivery service with tracking information when returning your product. Salton Canada will not be held responsible for in-transit damage or for packages that are not received.

This warranty does not include the cost of shipping, which is to be borne by the customer.

Name _____

Address _____

City _____ Prov/State _____ Postal/Zip Code _____

Daytime Phone No. _____ Email _____

Product defect: _____

Type of payment Cheque/Money Order Visa MasterCard

Name on card _____ Expiry Date _____ CSV No _____

Card No. _____

To contact our Customer Service Department:

SALTON CANADA
81A Brunswick,
Dollard-des-Ormeaux, Quebec H9B 2J5
Canada

Telephone: 514-685-3660 (Ext. 226)
E-mail: service@salton.com
Fax: 514-685-8300
www.salton.com