

salton®

Ice Maker



Instruction Booklet

Model: IM-2010

IMPORTANT SAFETY INSTRUCTIONS

When using electrical appliances, basic safety precautions should always be followed including the following:

1. Read all instructions.
2. Do not touch hot surfaces. Use handles or knobs.
3. To protect against electrical hazards, do not immerse cord, plugs, or the appliance in water or other liquid.
4. Close supervision is necessary when any appliance is used by or near children.
5. Unplug from outlet when not in use and before cleaning or servicing.
6. Do not operate any appliance with a damaged cord or plug or after the appliance malfunctions, or has been damaged in any manner. Return appliance to Salton for examination, repair or adjustment. See Warranty section.
7. The use of accessories or attachments not recommended by Salton may cause hazards.
8. Do not use outdoors.
9. Do not let cord hang over edge of table or counter, or touch hot surfaces. Do not let the power cord cross over carpeting or other heat insulators. Do not cover the cord.
10. Do not place on or near a hot gas or electric burner, or in a heated oven.
11. Always attach plug to appliance first, then plug cord into the wall outlet. To disconnect, turn any control to "OFF", then remove plug from wall outlet.
12. Do not use appliance for other than intended use.
13. Do not leave unit unattended while in use.
14. Plug the Ice Maker into an exclusive grounded 3-prong outlet. No other appliance should be plugged into the same outlet. Be sure that the plug is fully inserted into the receptacle.
15. Do not place hands or objects on or near the Evaporator when the Ice Maker is functioning.
16. If the Ice Maker is brought in from outside in wintertime, do not use for a few hours, allowing the unit to warm up to room temperature before operating.

17. Do not clean your Ice Maker with any flammable fluids. The fumes may create a fire hazard or explosion.

18. **WARNING:** Do not touch the Evaporator when the Ice Maker is making ice, it may burn your skin.

SAVE THESE INSTRUCTIONS

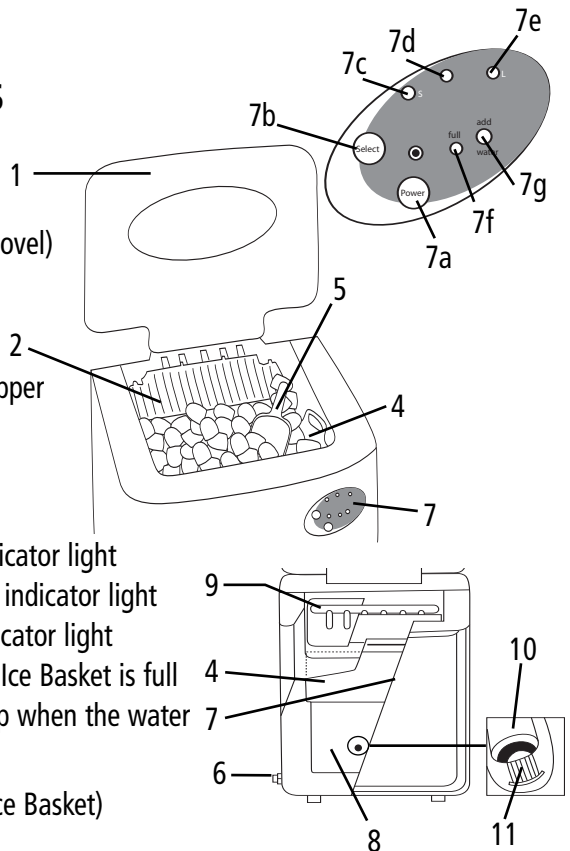
HOUSEHOLD USE ONLY

GROUNDING PLUG

To reduce the risk of electric shock this appliance has a grounded plug. (2 blades and 1 pin) If the plug does not fit fully into the electrical outlet contact a qualified electrician. Do not modify the plug in any way or use an adaptor.

DESCRIPTION OF PARTS

1. Cover
2. Ice Shovel
3. Water Tray (behind Ice Shovel)
4. Ice Basket
5. Ice Scoop
6. Drain Plug & Silicone Stopper
7. Control Panel
 - a. Power
 - b. Select (Ice Size)
 - c. S – small ice size indicator light
 - d. M – medium ice size indicator light
 - e. L – large ice size indicator light
 - f. Ice – lights up when Ice Basket is full
 - g. Add Water – lights up when the water reservoir is empty
8. Water Reservoir (below Ice Basket)
9. Evaporator Fingers
10. Water Inlet Tube
11. Water Filter (Inside Water Inlet Tube)



BEFORE FIRST USE

1. Remove all packaging and tape. Make sure that you have the Ice Basket and Ice Scoop before discarding packaging.
2. Place the Ice Maker away from direct sunlight and other sources of heat, such as a stove, furnace and or radiators.
3. Position the Ice Maker so that it is 12" (30 cm) away from the wall on the left hand side.
4. After positioning the Ice Maker, wait 2 hours before starting.
5. Wash the interior, the Ice Basket and Ice Scoop. See the Care and Cleaning section.

IMPORTANT NOTE:

In the event that the power to the Ice Maker is inadvertently disconnected during the ice making cycle or there are warning lights blinking on the control panel, press the Power Button once so that it is blinking, then unplug the unit. Wait a few minutes until the Ice Maker warms up and the ice has fallen from the Evaporator Fingers. Empty the Water Tray by following the directions in #2 of the Care and Cleaning section. Wait 3 minutes then plug the Ice Maker into the wall outlet. Follow the directions in the How to Use section.

HOW TO USE

1. Ensure that the Drain Plug on the left side of the unit is closed.
2. Plug the Ice Maker into the wall outlet and the green power indicator light will blink (approximately every 5 seconds).
3. Open the Cover and remove the Ice Basket.
4. Fill the Water Reservoir. **NOTE:** Do not fill above the water level mark at the back of the Water Reservoir.
5. Replace the Ice Basket and close the Cover.
6. Press the Power Button. The Ice Maker automatically selects the medium "M" ice size. To change to either the small or large ice size, press the Select Button until the light is lit up beside the desired ice size.

7. The first ice making cycle will last approximately 12 – 14 minutes depending on the ice cube size that is selected. The ice making cycle starts with water being pumped into the Water Tray situated below the Evaporator Fingers. Over the next 12 – 14 minutes ice forms on the Evaporator Fingers. Once this has completed, the Ice Tray will tilt backwards and the remaining water in the Ice Tray is drained back into the Water Reservoir. The ice cubes are then dropped from the Evaporator Fingers and pushed forward into the Ice Basket by the Ice Shovel. The Ice Tray will automatically move back into position under the Evaporator Fingers and start the next cycle.
8. The red Ice LED will light up when the ice basket is full. The Ice Maker will stop the ice making cycle automatically. Gently remove the ice from the Ice Basket with the Ice Scoop. Once the Ice Basket has been emptied and the Cover closed, the Ice Maker will restart the ice making cycle automatically.
9. The red "Add Water" LED will light up when there is no more water in the Water Reservoir. The ice making cycle will stop automatically. Press the Power Button once (the Power Button will flash every 5 seconds). Remove the Ice Basket and add water to the Water Reservoir. **NOTE:** Do not fill above the water level mark at the back of the Water Reservoir. Replace the Ice Basket and close the Cover. Wait 3 minutes then press the Power Button to restart the ice making cycle.
10. When you have finished making ice, stop the ice making cycle by pressing the Power Button. Unplug the unit from the wall outlet. Open the Cover and allow the Ice Maker to reach room temperature and follow the directions in the Care and Cleaning section.

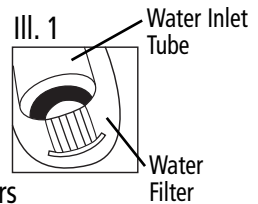
HELPFUL HINTS

1. To ensure the cleanliness of the ice cubes, water in the Water Reservoir should be replaced every 24 hours.
2. If the compressor stops for any reason such as water shortage, too much ice, power outage, etc., wait 3 minutes before restarting.
3. Clean your Ice Maker regularly. See the Care and Cleaning section.
4. Do not leave the Ice Maker Cover open for extended periods of time when making ice.

5. Due to fast freezing, ice cubes may appear cloudy. This is trapped air in the water and it will not affect the quality or taste of the ice.

CARE AND CLEANING

1. Stop the Ice Making Cycle by pressing the Power Button. Unplug the Ice Maker from the wall outlet. Allow the unit to warm up to room temperature.
2. If the Water Tray is not in the vertical position behind the Evaporator Fingers, gently push the Water Tray back so that all water drains into the Water Reservoir.
3. Open the Drain Plug and remove the Silicone Stopper to drain out excess water. Replace the Silicone Stopped and Drain Plug.
4. Remove the Ice Basket.
5. Clean the Ice Maker interior with a soft cloth dampened in warm water and vinegar. Rinse with a clean damp cloth.
6. Wash the Ice Basket and Ice Scoop in warm soapy water. Rinse and dry.
7. Clean the exterior of the Ice Maker with a soft damp cloth. Use a mild dishwashing soap, if necessary.
8. The Water Filter inside the Water Inlet Tube should be clean periodically (See illustration 1). Place your finger about 1/2" into the Water Inlet Tube. The Water Filter will stick to your finger and can be pulled out. Rinse the Water Filter under clean running water. If necessary, clean with a soft brush. Replace the Water Filter.



9. **IMPORTANT NOTE:** Do not clean the Evaporator Fingers

TROUBLESHOOTING GUIDE

PROBLEM	SOLUTION
"Add Water" LED is on	<ul style="list-style-type: none">• Lack of water. Press the Power Button to stop the unit. Fill up with water then wait 3 minutes before restarting.• If there is sufficient water, try cleaning the Water Filter. See the Care and Cleaning section.
"Ice" LED is on	<ul style="list-style-type: none">• The Ice Basket is full. Gently remove ice from the Ice Basket with the Ice Scoop.
Indicator lights on the display are not on	<ul style="list-style-type: none">• Turn power on or replace fuse.
Ice making cycle is normal but no ice is made	<ul style="list-style-type: none">• Refrigerant liquid has leaked or cooling system pipe is blocked. Verify by a qualified technician. See Warranty section.

A short supply cord is provided to reduce the hazards of becoming entangled in or tripping over a long cord. Extension cords may be used if care is exercised in their use. If an extension cord is used, the marked electrical rating of the detachable power-supply cord or extension cord should be at least as great as the electrical rating of the appliance. If the appliance is of the grounded type, the extension cord should be a grounded 3-wire cord. The extension cord should be arranged so that it will not drape over the counter top or table top, where it can be pulled on by children or tripped over.

LIMITED WARRANTY

SWG Canada warrants that this appliance shall be free from defects in material and workmanship for a period of one year from the date of purchase. During this 'in-warranty' period, defective products will be repaired or replaced at the discretion of the retailer and/or SWG Canada. This warranty covers normal domestic usage and does not cover damage which occurs in shipment or failure which results from alteration, accident, misuse, abuse, glass breakage, neglect, commercial use or improper maintenance.

A defective product should be returned to the original place of purchase within the retailer's stipulated return/exchange period*. If you are unable to have a defective product replaced under warranty by the retailer, please check our website at "www.salton.com" for the service centre nearest you. You may also contact us for assistance by mail, e-mail, fax or telephone as listed below.

To ensure prompt 'in-warranty' service securely package and return the product to us prepaid. Be sure to include the original proof of purchase and a description of the defect along with your address and zip/postal code.

For repairs not covered by the warranty, please contact us for assistance.

salton[®]

SWG CANADA

Customer Service Department

81A Brunswick

Dollard-des-Ormeaux

Quebec, Canada H9B 2J5

Website: www.salton.com

E-mail: service@salton.com

Fax: 514-685-8300

Tel: 514-685-3660

* Return/exchange policies at each retailer vary and may differ from the Salton Canada 1 year limited warranty period.