

Humpty Dumpty

EGG COOKER



Model SEC-4

salton
salton
salton

IMPORTANT SAFEGUARDS

When using electrical appliances, basic safety precautions should always be followed including the following:

1. Read all instructions.
2. Do not touch hot surfaces. Use handles or knobs.
3. To protect against electrical hazards, do not immerse cord, plugs, or the appliance in water or other liquid.
4. Close supervision is necessary when any appliance is used by or near children.
5. Unplug from outlet when not in use and before cleaning. Allow to cool before cleaning the appliance.
6. Do not operate any appliance with a damaged cord or plug or after the appliance malfunctions, or has been damaged in any manner. Return appliance to Salton for examination, repair or adjustment. See Warranty.
7. The use of accessories or attachments not recommended by Salton may cause hazards.
8. Do not use outdoors.
9. Do not let cord hang over edge of table or counter, or touch hot surfaces.
10. Do not place on or near a hot gas or electric burner, or in a heated oven.
11. Extreme caution must be used when moving an appliance containing hot liquids.
12. This appliance is for Household Use Only. Do not use appliance for other than its intended use.
13. Do not leave unit unattended while in use.

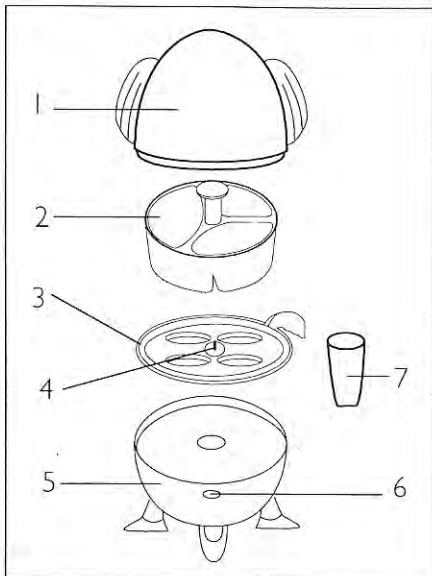
SAVE THESE INSTRUCTIONS

POLARIZED PLUG

This appliance has a polarized plug (one blade is wider than the other). To reduce the risk of electric shock, this plug will fit in a polarized outlet only one way. If the plug does not fit fully in the outlet, reverse the plug. If it still does not fit, contact a qualified electrician. Do not modify the plug in any way.

DESCRIPTION OF PARTS

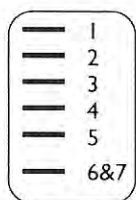
1. Lid
2. Poaching Tray
3. Cooking Rack
4. Piercing Pin
5. Base
6. Indicator Light
7. Measuring Cup with water measuring guide



BEFORE FIRST USE

Wash the Lid, Cooking Rack, Poaching Tray and Measuring Cup in warm soapy water. Rinse and dry thoroughly. Wipe the Base with a damp cloth or sponge. **DO NOT IMMERSE BASE IN WATER OR OTHER LIQUID.** CARE MUST BE TAKEN WHEN HANDLING OR WASHING THE COOKING RACK TO AVOID TOUCHING THE PIERCING PIN.

Measuring Cup Water Guide



Soft



Medium



Hard

NOTE: The Measuring Cup has a small hole near the bottom of the cup to obtain the exact water measurement for the number of eggs. Pour water into the cup with your finger over the hole. Fill slightly above the desired level. Remove your finger and let the water drop to the exact level for the number of eggs you are cooking.

IMPORTANT NOTES

Cooking times may vary and are affected by factors such as:

1. Number and size of eggs.
2. Temperature of eggs prior to cooking.
3. Temperature and amount of water used.
4. Altitude.
5. Length of time eggs remain in the Egg Cooker after the cooking cycle has completed.

TO COOK (Soft/Medium/Hard)

1. Place the Base on a dry, level surface.
2. Decide on the number of eggs to be cooked. Use the Measuring Cup to put cold water into the Base. Refer to the Measuring Cup Water Guide on page 3 for water use.
3. Place the Cooking Rack on a flat counter surface.
4. Pierce the large end of each egg with the Piercing Pin in the Cooking Rack. This will prevent the egg shell from cracking while the eggs are cooking.
5. Place eggs pierced end up in the Cooking Rack. Place Cooking Rack on Base and cover with Lid.
6. Plug the unit into a 120 volt electrical outlet. The Indicator Light will glow, indicating the eggs are cooking.
7. Once all the water has evaporated the unit will "beep" signaling that the eggs are ready.
8. Unplug the unit.
9. While eggs are still on the Cooking Rack, rinse briefly under cold water and serve immediately.

TO POACH

1. Place Base on a dry, level surface.
2. Fill the Measuring Cup with cold water to level 3 in the section for 'Medium' eggs. (See page 3) and pour into the Base.
3. Lightly butter or oil the poaching sections to be used.
4. Hold the Poaching Tray and Egg Tray upside down. Fit the Cooking Rack over the Poaching Tray so that the legs of the Poaching Tray are in the center of the egg holes and the tabs on the Poaching Tray fit along the rim on the inside of each of the holes. Hold the assembled trays by the small handle on the Cooking Rack. Turn over and place on the Base. Break one egg into each section of the Poaching Tray.

5. Place Lid on Egg Cooker and plug the unit into a 120 volt electrical outlet. The Indicator Light will glow, indicating the eggs are cooking.
6. Once all the water has evaporated the unit will “beep” signaling that the eggs are ready.
7. Unplug the unit and serve eggs immediately to avoid overcooking.

CARE AND CLEANING

Wash Lid, Poaching Tray, Cooking Rack and Measuring Cup in warm soapy water or in the dishwasher (top rack only). Rinse thoroughly and dry. Let the Base cool and wipe with a damp cloth or sponge. **DO NOT IMMERSE BASE IN WATER OR OTHER LIQUID.**

A short supply cord is provided to reduce the hazards of becoming entangled in or tripping over a longer cord. Extension cords are available and may be used if care is exercised in their use. If an extension cord is used, the marked electrical rating of the extension cord should be at least as great as the electrical rating of the appliance.

LIMITED WARRANTY

SALTON warrants that this appliance shall be free from defects in material and workmanship for a period of one year from the date of purchase. During that period these defects will be repaired or the product will be replaced at SALTON's option without charge. This warranty covers normal domestic usage and does not cover damage which occurs in shipment or failure which results from alteration, accident, misuse, abuse, neglect, commercial use, or improper maintenance.

TO RETURN FOR SERVICE

1. Securely package and return the product PREPAID to:
SALTON CANADA
81-A Brunswick, Dollard des Ormeaux, Quebec H9B 2J5
2. Be sure to enclose your name, address, postal code, receipt and description of defect.
3. To ensure prompt "In-Warranty" service, be sure to include a proof of purchase. We recommend you take the necessary precaution of insuring the parcel.
4. For repairs not covered by the Warranty, you will be advised of the cost of repair in advance, and upon receipt of your cheque or money order, the repairs will be completed and the product returned to you.

salton
salton
salton

SALTON CANADA
81-A Brunswick
Dollard des Ormeaux, Quebec H9B 2J5