

# SWG

## counter top Wine Cellar



### Instruction Booklet

Model: WC-2053

# IMPORTANT SAFEGUARDS

When using an electrical appliance, basic precautions should always be followed to reduce the risk of fire, electric shock and injury to persons, including the following:

1. Read all instructions. Use this appliance only as described in this manual. Other uses not recommended may cause fire, electric shock or personal injury.
2. To protect against electrical hazards, do not immerse cord, plugs, or the appliance in water or other liquid.
3. This unit is designed to be freestanding only. Do not recess into cabinets. Follow the instructions in the Installation section.
4. It is recommended that a separate circuit, serving only this unit be provided. Use receptacles that cannot be turned off by a switch or pull chain.
5. Unplug from outlet when not in use, before moving, servicing or cleaning. Failure to unplug the unit from the wall outlet can result in electrical shock or death.
6. To unplug from the outlet, grip the plug and pull it from the wall outlet. Never pull by the cord.
7. Never connect or disconnect the plug from the outlet when your hands are wet.
8. Do not operate any appliance with a damaged cord or plug or after the appliance malfunctions, or has been damaged in any manner. Return appliance to SWG Canada for examination, repair or adjustment. See Warranty. Do not attempt to repair or replace any part of the Wine Cellar unless it is specifically recommended in this manual. All servicing should be referred to a qualified technician. See Warranty section.
9. The use of attachments not recommended by the manufacturer may be hazardous.
10. Close supervision is necessary when any appliance is used by or near children.
11. Do not operate the appliance in the presence of explosives and/or flammable fumes.
12. Do not place the appliance or any of its parts near an open flame, cooking or other heating appliance.
13. Place the unit on a dry level surface. Follow the instructions in the Installation section.
14. Do not place heavy objects on top of the unit.
15. Empty contents before moving the unit.

16. Never clean appliance parts with flammable fluids. The fumes can create a fire hazard or explosion. Do not store or use gasoline or other flammable vapors and liquids in the vicinity of this or any other appliance. The fumes can create a fire hazard or explosion.

## **WARNING: RISK OF CHILD ENTRAPMENT**

- **DANGER OR WARNING:** Child entrapment and suffocation are not problems of the past. Junked or abandoned appliances are still dangerous...even if they will "just sit in the garage a few days"
- Before you throw away your old Wine Cellar: Take off the door. Leave the shelves in place so that children may not easily climb inside
- Never allow children to operate, play with, or crawl inside the appliance.

## **SAVE THESE INSTRUCTIONS** HOUSEHOLD USE ONLY

### **GROUNDING PLUG**

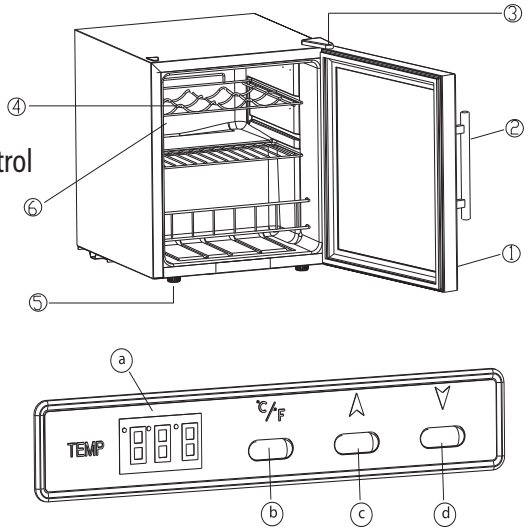
To reduce the risk of electric shock this appliance has a grounded plug (2 blades and 1 pin). If the plug does not fit fully into the electrical outlet contact a qualified electrician. **DO NOT** modify the plug in any way or use an adaptor.

### **BOTTLE STORAGE**

Many bottles may differ in size and dimensions. As such the actual number of bottles you may be able to store may vary.

## DESCRIPTION OF PARTS

1. Glass Door
2. Control Panel
  - a) LED Display
  - b) On/Off Interior Light Control
  - c) Raise Temperature
  - d) Lower Temperature
3. Interior Light
4. Wine Racks
5. Leveling Legs
6. Evaporator (Inside back of cavity)

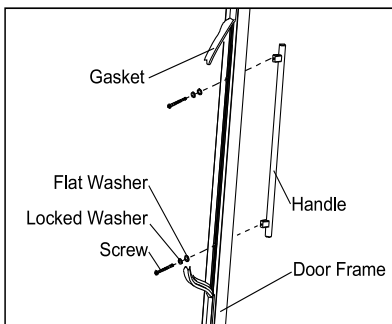


## BEFORE FIRST USE

- Remove the exterior and interior packaging.
- Ensure that you have 2 shelves (1 large, 1 small and the handle)
- Clean the interior surface with lukewarm water using a soft cloth.

## INSTALLING THE HANDLE

1. Pull the door gasket to one side to reveal the two designated holes for the handle.
2. Install the handle tightly as shown above with the two screws and flat washers provided. NOTE: If the event that the screws have come loose from the door during transit, extra screws and washers have been provided and have been placed inside the Handle Bag.
3. Replace the door gasket.



## INSTALLING

1. The unit is designed to be free standing only and it should not be recessed or built-in.
2. Place the Wine Cellar on a flat level surface that is strong enough to support it when fully loaded.
3. To ensure that your wine cooler works at the maximum efficiency, the recommended clearance is 4" (10cm) in the back and on both sides.
4. Do not place the unit in direct sunlight or near sources of heat (stove, heater, radiator, etc.). DO NOT place next to any appliance that emits large amounts of heat, such as a dishwasher, microwave, oven, toaster, etc. or in direct sunlight. Direct sunlight may affect the acrylic coating and heat sources may increase electrical consumption.
5. Extreme cold ambient temperatures may also cause the appliance not to perform properly.
6. To help with door closure, position leveling legs with a 1/8" (3 mm) tilt to the back. Raise the leveling legs (the 2 front legs) by turning clockwise or lower by turning counterclockwise.
7. Gently slide the racks into the unit.
8. **Let the Wine Cellar stand upright for approximately 2 hours before plugging into the power source. This will reduce the possibility of a malfunction in the cooling system from handling during transportation.**

## HOW TO USE

1. After the Wine Cellar has been left in an upright position for 2 hours (see Installation section), plug the Wine Cellar into an exclusive, properly installed grounded wall outlet.
2. The LED will display the current internal cabinet temperature.
3. Allow the unit to run for at least 30 minutes before making any adjustments.
4. The Wine Cellar has an electronic Temperature Control on the upper door frame. The temperature range is 4 – 18 °C (39.2 – 64.4°F)  
NOTE: To switch the display between Celsius and Fahrenheit press both arrow buttons simultaneously and hold for 3 seconds.
5. To select the desired temperature press the up arrow button (▲) to increase the temperature or the down arrow button (▼) to lower the temperature. The display will increase or decrease in 1° increments.
6. The Display will show the set temperature for 5 seconds then revert back to the current internal cabinet temperature. The unit will gradually work toward the temperature you have set.
7. Do not fill with wine until the Wine Cellar has been running for 2 – 3 hours.

## STORAGE CAPACITY

You can place 15 standard bottles in the Wine Cellar. Many bottles may differ in size and dimensions. As such, the actual number of bottles you may be able to store may vary.

## CARE AND CLEANING

### Defrosting

1. Defrost the Wine Cellar when the frost accumulated on the evaporator is about 5mm (1/5 inch) thick. NOTE: The Evaporator is at the back of the inside cavity.
2. Unplug the power cord and allow the unit to defrost. Defrosting usually takes a few hours. To defrost quickly, remove wine from the Wine Cellar and leave the door open. Never use a knife or other metal instrument to scrape ice/frost from the evaporator.
3. After defrosting, reset the desired temperature.

### Cleaning

1. Always unplug the unit from the wall outlet before cleaning.
2. Empty the cavity.
3. Wash the Wine Racks in mild soap and water. Rinse and dry.
4. Wash the inside cavity with a warm water and baking soda solution. Mix approximately 2 tbsp. (30 ml) of baking soda with 1 quart (litre) of water.
5. The outside of the Wine Cellar can be wiped with a damp cloth. Dry.  
NOTE: Use caution when wiping over the Control Panel area so that water does not enter the controls.
6. DO NOT use any abrasive cleaning products on the inside or outside of the Wine Cellar.

**CAUTION:** Failure to unplug the appliance could result in electrical shock or personal injury.

## Power Failure

Most power failures are corrected within a few hours and should not affect the temperature of your appliance if you minimize the number of times the door is opened.

**NOTE:** If the unit is unplugged, has lost power, or is turned off; you must wait 3 to 5 minutes before restarting the unit. If you attempt to restart before this time delay, damage may occur and or the appliance may not start.

## Vacations

- **Short vacations:** Leave the appliance operating during vacations of less than three weeks.
- **Long vacations:** If the appliance will not be used for several months, remove all items and unplug the power cord. Clean and dry the interior thoroughly. To prevent odor and mold growth, leave the door open slightly: blocking it open if necessary.

## Moving your Wine Cellar

1. Remove all contents and store properly.
2. Securely tape down all loose items inside your appliance.
3. Turn the leveling screw up to the base to avoid damage.
4. Tape the doors shut.
5. Be sure the appliance stays secure in the upright position during transportation. Also protect the outside of appliance with a blanket, or similar item.

# TROUBLESHOOTING GUIDE

PROBLEM	POSSIBLE CAUSE
Vibrations	<ul style="list-style-type: none"> <li>• Check to assure that the appliance is level.</li> </ul>
The door will not close properly	<ul style="list-style-type: none"> <li>• The appliance is not level.</li> <li>• The gasket is dirty.</li> <li>• The shelves are out of position.</li> </ul>
Unit has no power	<ul style="list-style-type: none"> <li>• Ensure that the outlet is not controlled by a wall switch.</li> <li>• Make sure that the circuit breaker has not been tripped or the fuse blown.</li> <li>• Unit is not plugged in</li> </ul>
Fan always runs	<ul style="list-style-type: none"> <li>• The lower the temperature setting the longer the fan will run.</li> </ul>
Appliance is not cold enough.	<ul style="list-style-type: none"> <li>• Check the temperature control setting.</li> <li>• The door is opened too often.</li> <li>• The door is not closed completely.</li> <li>• The door gasket does not seal properly.</li> </ul>
The light does not work	<ul style="list-style-type: none"> <li>• Not plugged in.</li> <li>• The circuit breaker tripped or a blown fuse.</li> <li>• The bulb has burned out. See Warranty page and contact our Service Dept.</li> <li>• The switch is in the "OFF" position.</li> </ul>
The Wine Cellar seems to make too much noise.	<ul style="list-style-type: none"> <li>• The rattling noise may come from the flow of the refrigerant, which is normal.</li> <li>• As each cycle ends, you may hear gurgling sounds caused by the flow of refrigerant in your Wine Cellar.</li> <li>• Contraction and expansion of the inside walls may cause popping and crackling noises.</li> <li>• The Wine Cellar is not level.</li> </ul>
Turns on and off frequently.	<ul style="list-style-type: none"> <li>• The room temperature is hotter than normal.</li> <li>• The door is opened too often.</li> <li>• The door is not closed completely.</li> <li>• The temperature control is not set correctly.</li> <li>• The door gasket does not seal properly.</li> <li>• The Wine Cellar does not have the correct clearances.</li> </ul>



Use an exclusive wall outlet. Do not connect your refrigerator to extension cords or together with any other appliance in the same wall outlet. If the power cord is too short, have a qualified electrician or service technician install an outlet near the appliance.

## **LIMITED WARRANTY**

SWG Canada warrants that this appliance shall be free from defects in material and workmanship for a period of one year from the date of purchase. During this 'in-warranty' period, defective products will be repaired or replaced at the discretion of the retailer and/or SWG Canada. This warranty covers normal domestic usage and does not cover damage which occurs in shipment or failure which results from alteration, accident, misuse, abuse, glass breakage, neglect, commercial use or improper maintenance.

A defective product should be returned to the original place of purchase within the retailer's stipulated return/exchange period\*. If you are unable to have a defective product replaced under warranty by the retailer, please check our website at "[www.salton.com](http://www.salton.com)" for the service centre nearest you. You may also contact us for assistance by mail, e-mail, fax or telephone as listed below.

To ensure prompt 'in-warranty' service securely package and return the product to us prepaid. Be sure to include the original proof of purchase and a description of the defect along with your address and postal code.

For repairs not covered by the warranty, please contact us for assistance.

# **salton®**

## **SWG CANADA**

Customer Service Department

81A Brunswick

Dollard-des-Ormeaux

Quebec, Canada H9B 2J5

Website: [www.salton.com](http://www.salton.com)

E-mail: [service@salton.com](mailto:service@salton.com)

Fax: 514-685-8300

Tel: 514-685-3660

\* Return/exchange policies at each retailer vary and may differ from the SWG Canada 1 year limited warranty period.