

salton®

long slot toaster
stainless steel - 4 slice



Instruction Booklet

Model ET1817

IMPORTANT SAFEGUARDS

When using electrical appliances, basic safety precautions should always be followed including the following:

1. Read all instructions.
2. Do not touch hot surfaces. Use handles or knobs.
3. To protect against electrical hazards, do not immerse cord, plugs, or the appliance in water or other liquid.
4. Close supervision is necessary when any appliance is used by or near children. Children should be supervised to ensure that they do not play with the appliance.
5. This appliance is not intended for use by persons (including children) with reduced physical, sensory or mental capabilities or lack of experience and knowledge, unless they have been given supervision or instruction concerning the use of the appliance by a person responsible for their safety.
6. Unplug from outlet when not in use and before cleaning. Allow to cool before putting on or taking off parts, and before cleaning the appliance.
7. Do not operate any appliance with a damaged cord or plug or after the appliance malfunctions, or is dropped or damaged in any manner. Return appliance to the manufacturer for examination, repair or electrical or mechanical adjustment. All servicing, other than cleaning, should be performed by an authorized service representative. See Warranty section.
8. The use of accessories or attachments not recommended by the manufacturer may cause hazards.
9. Do not use outdoors.
10. Do not let cord hang over edge of table or counter, or touch hot surfaces.
11. Do not place on or near a hot gas or electric burner, or in a heated oven.
12. Extreme caution must be used when moving an appliance containing hot liquids.
13. Always attach plug to appliance first, then plug cord into the wall outlet. To disconnect, turn any control to 'OFF', then remove plug from wall outlet.
14. Do not use appliance for other than intended use.
15. Do not leave unit unattended while in use.
16. Oversize foods, metal foil packages, or utensils must not be inserted in a toaster as they may involve a risk of fire or electric shock.
17. A fire may occur if toasters are covered or touching flammable material, including curtains, draperies, walls and the like, when in operation. Do not operate under wall cabinets.

18. Do not attempt to dislodge food when toaster is plugged in.
19. Do not place any bread or object on top of the toaster. This will block airflow and cause fire or damage to the toaster.

SAVE THESE INSTRUCTIONS

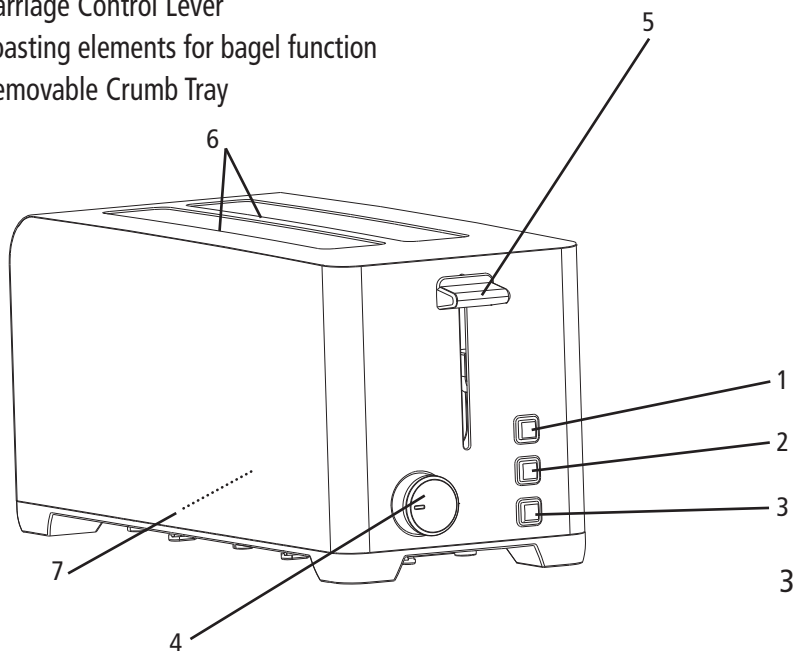
HOUSEHOLD USE ONLY

POLARIZED PLUG

This appliance has a polarized plug (one blade is wider than the other). To reduce the risk of electric shock, this plug will fit in a polarized outlet only one way. If the plug does not fit fully in the outlet, reverse the plug. If it still does not fit, contact a qualified electrician. Do not modify the plug in any way.

DESCRIPTION OF PARTS

1. Cancel Button and Light
2. Bagel Button and Light
3. Defrost Button and Light
4. Browning Control Knob
5. Carriage Control Lever
6. Toasting elements for bagel function
7. Removable Crumb Tray





BEFORE FIRST USE

1. Remove all packaging.
2. Read all instructions carefully and keep them for future reference.
3. Make sure that the Crumb Trays are in place.
4. Plug the power cord into a 120 V AC wall outlet. Operate both sides of the toaster once or twice without bread on the highest browning level to burn off any residue left from the manufacturing process. Any smoke or smells produced during this procedure is normal.

HOW TO USE

Cancel Function: Reheats previously toasted bread, bagels, etc. without further browning

Bagel Function: Toasts the cut side of the bagel and warms the outer crust

Defrost Function: First defrosts frozen bread then toasts

1. Plug power cord into a 120V AC wall outlet.
2. Select the degree of browning on the Browning Control Knob.

Light – setting 1 or 2

Medium – setting 3, 4

Dark – setting 5, 6

IMPORTANT: If the toaster is not plugged in, the carriage control lever will not lock.

Toasting

1. Place slices of bread, waffles, English muffins etc. into the bread slots. The bread guides will adjust automatically to hold thinner slices.
2. Select the desired setting on the Browning Control Knob.
3. Push the Carriage Control Lever down until it locks. The Cancel light will come on. If you wish to raise the Carriage Control Lever before the end of the toasting cycle, press the Cancel button.
4. When the toasting cycle is complete, the Carriage Control Lever will pop-up automatically.





Bagel

1. Place one or two slices of bagel into the slot. The cut side of the bagel must be placed facing the left of the element of the toaster slot.
2. Select the desired setting on the Browning Control Knob.
3. Push the Carriage Control Lever down until it locks.
4. Press the Bagel Button. The Bagel and Cancel indicator lights will be on. If you wish to raise the Carriage Control Lever before the end of the cycle, press the Cancel Button.
5. When toasting is complete the Carriage Control Level will pop-up automatically.

Defrosting

1. Place slices of bread, waffles, etc. into the bread slots.
2. Select the desired setting on the Browning Control Knob. NOTE: The toaster will automatically add defrosting time to the toasting cycle when the Defrost Button is pressed.
3. Push the Carriage Control Lever down until it locks.
4. Press the Defrost Button. The Defrost and Cancel lights will come on. If you wish to raise the Carriage Control Lever before the end of the defrosting/toasting cycle, press the Cancel button.
5. When the defrosting/toasting cycle is complete, the Carriage Control Lever will pop-up automatically.

HELPFUL HINTS

1. Moisture levels differ from one type of bread to another, which can result in varying toasting times.
 - For slightly dry bread, use a lower Browning Control setting than normal
 - For fresh bread or whole wheat, use a higher setting than normal
 - Breads with uneven surfaces (i.e.: English muffins) will require a higher Browning Control setting.
 - Thickly cut pieces of bread, including bagels, will take longer to toast.



2. When toasting raisin or other fruit breads, remove any loose raisins or fruit from the surface of the bread before placing it in the toaster. This will help prevent pieces from falling into the toaster or sticking on the bread guides.
3. If toasting a single slice of bread, etc. set the Browning Control Knob to a lighter than normal setting.
4. Frozen breads, waffles, pancakes, etc. should be toasted using the Defrost Function.
5. When toasting pastries, the filling can become quite hot before the surface of the pastry becomes brown. Never leave toasting pastries unattended.
6. Do not place any bread or object on top of the toaster. This will block airflow and cause fire or damage to the toaster.

CARE AND CLEANING

1. Unplug the power cord from wall outlet. Allow the toaster to cool before cleaning.
2. Do not use abrasive cleansers. Simply wipe the exterior with a clean damp cloth and, if necessary, a mild soap. Dry thoroughly.
3. To remove crumbs, slide out the Crumb Trays by placing your fingers underneath the back of the toaster base and slide the Crumb Trays out.
4. Empty the Crumb Trays, then wipe with a damp cloth. Stubborn spots can be removed with a plastic mesh pad. Dry thoroughly before replacing. Never operate the toaster without the Crumb Trays in place.
5. All servicing, other than cleaning, should be performed by an authorized service representative. See Warranty section.

IMPORTANT: Remove the crumbs from your toaster regularly. A large build-up of crumbs could become a fire hazard. To remove any pieces of bread remaining in the toaster, unplug the toaster then turn the toaster upside down and shake gently. Never insert any hard or sharp instrument into the slots as this could damage the toaster and cause a safety hazard.

A short supply cord is provided to reduce the hazards of becoming entangled in or tripping over a long cord. Extension cords may be used if care is exercised in their use. If an extension cord is used, the marked electrical rating of the detachable power-supply cord or extension cord should be at least as great as the electrical rating of the appliance. If the appliance is of the grounded type, the extension cord should be a grounded 3-wire cord. The extension cord should be arranged so that it will not drape over the counter top or table top, where it can be pulled on by children or tripped over.

LIMITED WARRANTY

****The original sales receipt is the only acceptable proof of purchase****

Salton Canada warrants that this appliance shall be free from defects in material and workmanship for a period of two (2) years from the date of original purchase. Salton Canada, at its sole discretion during this warranty period, will repair or replace a defective product or issue a refund. Any refund to the purchaser will be at a pro-rated value based on the remaining period of the warranty. All liability is limited to the amount of the purchase price. This warranty covers normal domestic usage and does not cover damage which occurs in shipment or failure which results from alteration, accident, misuse, abuse, glass breakage, neglect, improper maintenance, use contrary to the operating instructions or commercial use. This warranty is not available to retailers or other commercial purchasers or owners.

This warranty does not include the cost of shipping, which is to be borne by the customer.



TO OBTAIN PROMPT WARRANTY SERVICE:

Contact one of our many Service Centers found on our website
www.salton.com/customer-care

or

Securely package and return the appliance to us. Please enclose:

- Original proof of purchase
- The completed form below with a \$12.50 Return Shipping & Handling fee – either a cheque, money order or credit card (A personal cheque will delay return shipping by 2-3 weeks)

For added protection, we suggest that you use an insured delivery service with tracking information when returning your product. Salton Canada will not be held responsible for in-transit damage or for packages that are not received.

This warranty does not include the cost of shipping, which is to be borne by the customer.



Name _____

Address _____

City _____ Prov/State _____ Postal/Zip Code _____

Daytime Phone No. _____ Email _____

Product defect: _____

Type of payment Cheque/Money Order Visa MasterCard

Name on card _____ Expiry Date _____ CSV No _____

Card No. _____

To contact our Customer Service Department:

SALTON CANADA
 81A Brunswick,
 Dollard-des-Ormeaux, Quebec H9B 2J5
 Canada

Telephone: 514-685-3660 (Ext. 226)
 E-mail: service@salton.com
 Fax: 514-685-8300
www.salton.com

