

salton®

stainlesssteel coffeeurn

55 cup capacity



Model : CU-55

IMPORTANT SAFEGUARDS

When using electrical appliances, basic safety precautions should always be followed including the following:

1. Read all instructions.
2. Do not touch hot surfaces. Use handles or knobs.
3. To protect against electrical hazards, do not immerse cord, plugs, or the appliance in water or other liquid.
4. Close supervision is necessary when any appliance is used by or near children.
5. Unplug from outlet when not in use and before cleaning. Allow to cool before putting on or taking off parts, and before cleaning the appliance.
6. Do not operate any appliance with a damaged cord or plug or after the appliance malfunctions, or has been damaged in any manner. Return appliance to Salton for examination, repair or adjustment. See Warranty.
7. The use of accessories or attachments not recommended by Salton may cause hazards.
8. Do not use outdoors.
9. Do not let cord hang over edge of table or counter, or touch hot surfaces.
10. Do not place on or near a hot gas or electric burner, or in a heated oven.
11. Extreme caution must be used when moving an appliance containing hot liquids.
12. Do not leave unit unattended while in use.
13. Ensure that the Cover is securely in place before brewing and when serving coffee. When placing the Cover on the Body of the Coffee Urn, make sure that one Locking Tab is facing the front and the other is facing the back of the Coffee Urn. Grasp the Cover Handle carefully and turn the Cover clockwise until the Locking Tabs are fully engaged inside the handles of the Coffee Urn.
14. Scalding may occur if the Cover is removed during the brewing cycle. When removing the Cover from the Body, grasp the Cover Handle carefully and turn the Cover counterclockwise to unlock the Cover. NOTE: During and after brewing, the Cover Handle will be hot. Always use a pot holder or oven mitt to remove or replace the Cover.

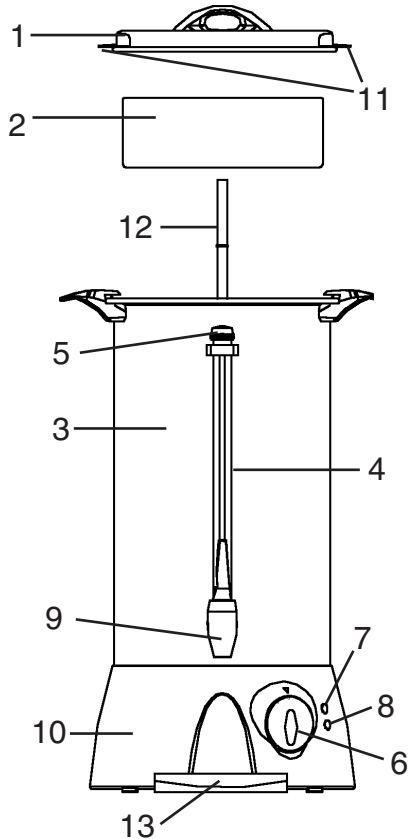
SAVE THESE INSTRUCTIONS

GROUNDING PLUG

To reduce the risk of electric shock this appliance has a grounded plug. (2 blades and 1 pin) If the plug does not fit fully into the electrical outlet contact a qualified electrician. Do not modify the plug in any way or use an adaptor.

DESCRIPTION OF PARTS

1. Cover
2. Basket
3. Body
4. Water Level Tube
5. Locking Nut for Water Level Tube
6. Control Knob
7. 'On' Indicator Light
8. 'Ready' Indicator Light
9. Spigot
10. Base
11. Locking Tabs
12. Pump Tube
13. Removable Drip Tray



BEFORE FIRST USE

Wash the Cover and all internal parts in warm soapy water or in the dishwasher to remove any residue left over from the manufacturing process. Wash the inside of the Body with warm soapy water, rinse and dry. **NEVER IMMERSE THE BODY IN WATER OR ANY OTHER LIQUID.** Wipe the outside surface with a damp cloth and dry.

HOW TO USE

1. Remove the Cover by grasping the cover handle and turning it counterclockwise until the Locking Tabs completely clear the handles on each side of the Body. Lift up the Cover. Take out the Basket and Pump Tube assembly.
2. Fill the Body with fresh cold water for the required number of cups. DO NOT MAKE LESS THAN THE MINIMUM OF 15 CUPS OR MORE THAN THE MAXIMUM OF 55 CUPS.
3. Wet the Basket to help keep small particles of coffee grinds from sifting through. Add either regular grind or percolator grind coffee to the basket using a standard dry measuring cup. The following chart suggests the amount of coffee for regular strength brew. The amount of coffee can be varied to suit your taste; use less for weaker coffee and more for stronger coffee.

CUPS (5 oz. – 140 ml)	AMOUNT OF COFFEE cups (ml)
15	1 (250)
20	1-1/4 (310)
25	1-1/2 (375)
30	2 (500)
35	2-1/4 (560)
40	2-1/2 (650)
45	2-3/4 (680)
50	3 (750)
55	3-1/3 (835)

4. Place the top of the Pump Tube through the hole at the bottom of the Basket and grasp the Pump Tube through the top of the Basket. Hold the top of the Pump Tube and place in the Body so that the washer at the bottom of the Pump Tube is properly seated in the heat well in the bottom of the inner body.

5. Place the Cover on the Body so that the Locking Tabs are on the front and back of the Coffee Urn. Grasp the Cover Handle and turn clockwise so that the Locking Tabs are fully engaged inside the Handles on both sides. NEVER PLUG IN THE COFFEE URN WITHOUT THE COVER IN PLACE OR WITHOUT THE LOCKING TABS COMPLETELY ENGAGED INSIDE THE HANDLES.
6. Place the groove at the outer edge of the Removable Drip Tray under the base of the Coffee Urn at the front of the unit.
7. Plug the Coffee Urn into a grounded 120 volt AC wall outlet. Turn the Control Knob to 'On' and the red 'On' light will illuminate and the coffee brewing will begin. DO NOT PLUG IN THE COFFEE URN WHEN THERE IS NO LIQUID INSIDE.
8. When the brewing cycle is complete, the percolating stops and the green 'Ready' light illuminates indicating that the coffee is ready to serve. The Coffee Urn automatically switches to warm and the coffee will remain hot as long as the Coffee Urn is plugged in.
9. To serve coffee, pull the Spigot handle forward and hold until the desired amount of coffee is dispensed into the cup. If you are filling a larger carafe with coffee the Spigot handle can be pushed back towards the Water Level Tube and the coffee will flow until the handle is moved back to the upright position.
10. If the brewed coffee is to be kept hot for a long period of time, the basket and pump tube should be removed once the brewing cycle is complete so bitter oils from the coffee grounds do not affect the flavour of the coffee. USE A POT HOLDER OR OVEN MITT AS THE INTERNAL PARTS WILL BE HOT.
11. Disconnect plug from wall outlet. Let cool before washing.

TO MAKE ADDITIONAL COFFEE: Rinse the Coffee Urn and parts with cold water and repeat steps 1 through 7.

TO REHEAT COFFEE: Remove the Basket and Tube. Lock the Cover in place and plug the unit in for 20 – 45 minutes depending on the amount of coffee to be reheated. DO NOT REHEAT IF LEVEL OF COFFEE IS LESS THAN THE "15 – MIN" MARK ON THE WATER LEVEL TUBE.

A short supply cord is provided to reduce the hazards of becoming entangled in or tripping over a long cord. Extension cords may be used if care is exercised in their use. If an extension cord is used, the marked electrical rating of the detachable power-supply cord or extension cord should be at least as great as the electrical rating of the appliance. If the appliance is of the grounded type, the extension cord should be a grounded 3-wire cord. The extension cord should be arranged so that it will not drape over the counter top or table top, where it can be pulled on by children or tripped over.

LIMITED WARRANTY

Salton Canada warrants that this appliance shall be free from defects in material and workmanship for a period of one year from the date of purchase. During this 'in-warranty' period, defective products will be repaired or replaced at the discretion of the retailer and/or Salton Canada. A defective product should be returned to the original place of purchase within the retailer's stipulated return/exchange period*. If you do not wish or are unable to have a defective product replaced under warranty by the retailer, Salton Canada will repair or replace the defective product without charge. You may contact us for assistance by mail, e-mail, fax or telephone as listed below.

This warranty covers normal domestic usage and does not cover damage which occurs in shipment or failure which results from alteration, accident, misuse, abuse, glass breakage, neglect, commercial use or improper maintenance.

To ensure prompt 'in-warranty' service be sure you have an original proof of purchase. You may be asked to return the product to us along with a description of the defect and your address, zip/postal code.

For repairs not covered by the warranty, please contact us for assistance.

salton®

SALTON CANADA

81A Brunswick, Dollard-des-Ormeaux

Quebec Canada H9B 2J5

website: www.salton.com

E-mail: service@salton.com

Fax: 514-685-8300

Tel: 514-685-3660

* Return/exchange policies at each retailer vary and may differ from the Salton Canada 1 year limited warranty period.