

salton®

Ice Maker/Dispenser



Instruction Booklet

Model: IM2085

IMPORTANT SAFEGUARDS

When using electrical appliances, basic safety precautions should always be followed including the following:

1. Read all instructions.
2. **WARNING:** Do not touch the Evaporator Fingers when the Ice Maker is making ice, it may burn your skin.
3. To protect against electrical hazards, do not immerse cord, plugs, or the appliance in water or other liquid.
4. Close supervision is necessary when any appliance is used by or near children.
5. Unplug from outlet when not in use and before cleaning or servicing.
6. Do not operate any appliance with a damaged cord or plug or after the appliance malfunctions, or has been damaged in any manner. Return appliance to Salton for examination, repair or adjustment. See Warranty section.
7. The use of accessories or attachments not recommended by Salton may cause hazards.
8. Do not use outdoors. Place the Ice Maker away from direct sunlight and make sure that there is at least 6" (15 cm) of space between the back of the unit and the wall. Keep a minimum distance of 6" (15 cm) on each side of the unit.
9. Do not let cord hang over edge of table or counter, or touch hot surfaces. Do not let the power cord cross over carpeting or other heat insulators. Do not cover the cord.
10. Do not use liquid other than water to make ice cubes.
11. Do not place on or near a hot gas or electric burner, or in a heated oven.
12. Always attach plug to appliance first, then plug cord into the wall outlet. To disconnect, turn any control to 'OFF', then remove plug from wall outlet.
13. Do not use appliance for other than intended use.
14. Do not leave unit unattended while in use.
15. Plug the Ice Maker into an exclusive grounded 3-prong outlet. No other appliance should be plugged into the same outlet. Be sure that the plug is fully inserted into the receptacle.
16. Place Ice Maker on a flat, level surface. Do not tip over. If the Ice Maker has not been in an upright position, place in the upright position and do not plug into the wall outlet for a minimum of 2 hours this will reduce the possibility of a malfunction in the cooling system from handling during transportation.

17. If the Ice Maker is brought in from outside in wintertime, do not use for a few hours to allow the unit the unit to warm up to the room temperature before operating.
18. Do not clean your Ice Maker with any flammable fluids. The fumes may create a fire hazard or explosion.

SAVE THESE INSTRUCTIONS

HOUSEHOLD USE ONLY

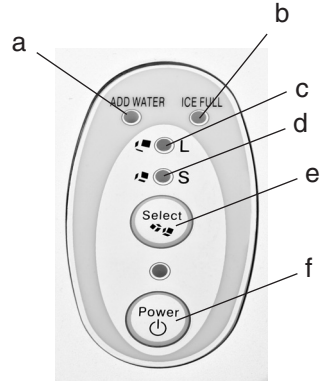
GROUNDING PLUG

To reduce the risk of electric shock this appliance has a grounded plug. (2 blades and 1 pin) If the plug does not fit fully into the electrical outlet contact a qualified electrician. Do not modify the plug in any way or use an adaptor.

DESCRIPTION OF PARTS

1. Control Panel

- a. Add Water – lights up when the water reservoir is empty
- b. Ice Full – lights up when Ice Storage Area is full
- c. L - large ice size indicator light
- d. S - small ice size indicator light
- e. Select (Ice Size) Button
- f. Power Button & Indicator Light



2. Water Drip Tray

3. Ice Cube Container Stand

4. Water Reservoir Drain Plug & Outlet

5. Ice Cube Dispenser Lever

6. Water Reservoir

7. Water Reservoir Door

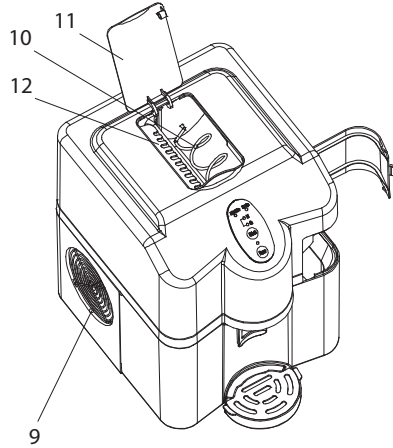
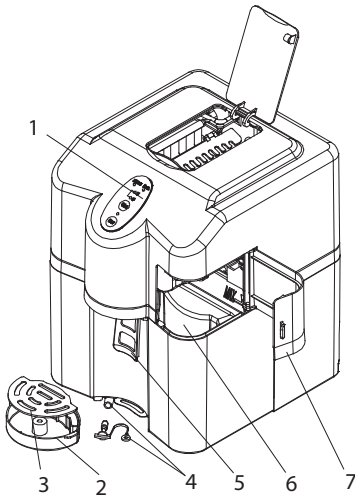
8. Funnel (not shown)

9. Fan Outlet

10. Ice Cube Pusher Coil (Coil)

11. Transparent window

12. Ice Shovel



BEFORE FIRST USE

1. Remove all packaging and tape. Make sure that you have the Funnel before discarding packaging.
2. Place the Ice Maker on a solid level surface, away from direct sunlight and other sources of heat, such as a stove, furnace and or radiators.
3. Position the Ice Maker so that it is 6" (15 cm) away from the wall at the back of the unit and on the left and right hand side.
4. After positioning the Ice Maker, wait 2 hours before starting. This will reduce the possibility of a malfunction in the cooling system from handling during transportation.
5. Wash the interior and the Funnel. See the Care and Cleaning section.

IMPORTANT NOTE:

In the event that the power to the Ice Maker is inadvertently disconnected during the ice making cycle, press the Power Button once so that it is blinking, then unplug the unit. Wait a few minutes until the Ice Maker warms up and the ice has fallen from the Evaporator Fingers. Empty the Water Tray by following the directions in #2 of the Care and Cleaning Section. Wait 3 minutes then plug the Ice Maker into the wall outlet. Follow the directions in the How to Use section.

HOW TO USE

1. Ensure that the Water Reservoir Drain Plug (#4) is in place covering the opening or the water will drain from the Water Reservoir.
2. Open the Water Reservoir Door. Place the Funnel over the opening and fill the Water Reservoir with drinking water. DO NOT fill above the MAX line indicated at the back of the Water Reservoir.
3. Plug the Ice Maker into the wall outlet.
4. Press the Power Button. The Ice Maker automatically selects the large 'L' ice cube size. To change to the small 'S' ice cube size, press the Select Button until the light is lit up beside the desired ice size.
5. The first ice making cycle will last approximately 6 – 10 minutes depending on the ice cube size that is selected.

NOTE:

1. The first ice cubes that are made should be dispensed and discarded.
2. The first ice cubes made will be smaller than in subsequent batches.
6. The ice making cycle starts with water being pumped into the Water Tray situated below the Evaporator Fingers. Over the next 6 - 10 minutes ice forms on the Evaporator Fingers. Once this has completed, the ice cubes are then dropped from the Evaporator Fingers and pushed forward into the Ice Storage Area by the Ice Shovel. The Ice Shovel will automatically move back into position and start the next cycle. NOTE: The ice making cycle lasts 6 to 10 minutes, depending on the size of the ice cube selection, the ambient temperature and the temperature of the water.
7. While the Ice Maker is on, verify the water level periodically. If the water pump can't inject water, the Ice Maker will stop automatically and the Add Water indicator light will come on.
8. If the Add Water indicator light comes on, press the Power button to turn the unit off. Fill the Water Reservoir with water. **IMPORTANT:** Wait 3 minutes before pressing the Power button to turn the unit on again.
9. The Ice Full Light will illuminate when the ice basket is full. The Ice Maker will stop the ice making cycle automatically.
10. To remove ice, gently push a glass or container against the Ice Cube Dispenser Lever the blue light will come on and ice will fall into the container. If the blue light does not come on, ice will not be dispensed. **IMPORTANT:** The transparent cover at the top of the Ice Maker must be closed or the Ice Maker will not dispense ice.
11. Once the Ice Storage Area has been emptied and the Cover closed, the Ice Maker will restart its ice making function automatically.

HELPFUL HINTS

1. To ensure the cleanliness of the ice cubes, water in the Water Reservoir should be replaced every 24 hours.
2. If the compressor stops for any reason such as water shortage, power outage, etc., wait 3 minutes before restarting.
3. Clean your Ice Maker regularly. See the 'Care and Cleaning' section.
4. Do not leave the Ice Maker Cover open for extended periods of time when making ice.
5. **IMPORTANT:** Due to fast freezing, ice cubes may appear cloudy. This is trapped air in the water and it will not affect the quality or taste of the ice.

CARE AND CLEANING

1. Stop the Ice Making Cycle by pressing the Power Button. Unplug the Ice Maker from the wall outlet. Allow the unit to warm up to room temperature.
2. Remove the Ice Cube Container Stand and the Drip Tray at the front of the appliance.
3. Move the Ice Maker to the edge of the counter so that the Drain Plug is accessible. Place a container underneath the Drain Plug and open the Drain Plug to allow the excess water to drain out. Replace the Drain Plug.
4. Clean the Ice Maker interior with a diluted mild soap and warm water solution and a soft cloth. Place a container under the Ice Cube Dispenser. Pour the warm water and mild soap mixture into the Water Reservoir. Open the transparent window and pour the mixture into both areas, the Ice Storage Area and the area under the Ice Shovel. Use a soft clean to wipe these surfaces. **IMPORTANT NOTE:** Do not clean the Evaporator Fingers
5. Drain out the soapy water by pulling out the Drain Plug.
6. Follow the cleaning directions above with clean water. Wipe with a clean cloth.
7. Clean the exterior of the Ice Maker with a soft damp cloth. Use a mild dishwashing soap, if necessary.

IMPORTANT: If the unit is not going to be used for over 24 hours, open the Water Reservoir Drain Plug and drain the water out completely.

TROUBLESHOOTING GUIDE

PROBLEM	POSSIBLE CAUSE	SOLUTION
'Add Water' LED light is on	<ul style="list-style-type: none"> Lack of water. 	<ul style="list-style-type: none"> Press the Power Button to stop the unit. Fill up with water then wait 3 minutes before restarting.
'Ice' LED light is on	<ul style="list-style-type: none"> There is too much ice 	<ul style="list-style-type: none"> Dispense ice
Ice cubes stick together	<ul style="list-style-type: none"> The ice cycle is too long Water temperature in Water Reservoir is too low 	<ul style="list-style-type: none"> Stop the ice maker and restart when the ice block melts. Select the small size ice cubes. Change the water in the Water Reservoir. The temperature of the water should be between 45° - 90°F (7° - 32°C)
Appliance will not dispense the ice cubes	<ul style="list-style-type: none"> The transparent window is open Coil to move the ice is blocked 	<ul style="list-style-type: none"> Close the transparent window. Release the Ice Cube Dispenser Lever for 3 seconds then push again.
Ice making cycle is normal but no ice is made	<ul style="list-style-type: none"> Ambient temperature of water temperature is too high Refrigerant liquid has leaked out. Pipe in cooling system is blocked. 	<ul style="list-style-type: none"> Run the ice maker in an ambient temperature below 90°F (32°C) Verify by a qualified technician

A short supply cord is provided to reduce the hazards of becoming entangled in or tripping over a long cord. Extension cords may be used if care is exercised in their use. If an extension cord is used, the marked electrical rating of the detachable power-supply cord or extension cord should be at least as great as the electrical rating of the appliance. If the appliance is of the grounded type, the extension cord should be a grounded 3-wire cord. The extension cord should be arranged so that it will not drape over the counter top or table top, where it can be pulled on by children or tripped over.

LIMITED WARRANTY

SWG Canada warrants that this appliance shall be free from defects in material and workmanship for a period of one year from the date of purchase. During this 'in-warranty' period, defective products will be repaired or replaced at the discretion of the retailer and/or SWG Canada. This warranty covers normal domestic usage and does not cover damage which occurs in shipment or failure which results from alteration, accident, misuse, abuse, glass breakage, neglect, commercial use or improper maintenance.

A defective product should be returned to the original place of purchase within the retailer's stipulated return/exchange period*. If you are unable to have a defective product replaced under warranty by the retailer, please check our website at "www.salton.com" for the service centre nearest you. You may also contact us for assistance by mail, e-mail, fax or telephone as listed below.

To ensure prompt 'in-warranty' service securely package and return the product to us prepaid. Be sure to include the original proof of purchase and a description of the defect along with your address and postal code.

For repairs not covered by the warranty, please contact us for assistance.

salton®

SWG CANADA - Division of Salton Appliances (1985) Corp.

Customer Service Department

81A Brunswick

Dollard-des-Ormeaux

Quebec, Canada H9B 2J5

Website: www.salton.com

E-mail: service@salton.com

Fax: 514-685-8300

Tel: 514-685-3660 Ext. 226

* Return/exchange policies at each retailer vary and may differ from the SWG Canada 1 year limited warranty period.