



TREATS
salton[®]

hot air
cinema popper



Instruction Booklet

Model: CP1716

IMPORTANT SAFEGUARDS

When using electrical appliances, basic safety precautions should always be followed including the following:

1. Read all instructions.
2. Do not touch hot surfaces. The Cover will be very hot during and after use. Always use oven mitts or pot holders when handling hot appliances.
3. To protect against electrical hazards, do not immerse cord, plugs, or the appliance in water or other liquid.
4. Close supervision is necessary when any appliance is used by or near children. Children should be supervised to ensure they do not play with the appliance.
5. This appliance is not intended for use by persons (including children) with reduced physical, sensory or mental capabilities, or lack of experience and knowledge, unless they have been given supervision or instruction concerning the use of the appliance by a person responsible for their safety.
6. Unplug from outlet when not in use and before cleaning. Allow to cool before putting on or taking off parts, and before cleaning the appliance.
7. Do not operate any appliance with a damaged cord or plug or after the appliance malfunctions, or has been damaged in any manner. Return appliance to Salton for examination, repair or adjustment. See Warranty section. Do not disassemble or attempt to repair the appliance yourself.
8. The use of accessories or attachments not recommended by Salton may cause hazards.
9. Do not use outdoors.
10. Do not let cord hang over edge of table or counter, or touch hot surfaces.
11. Do not place on or near a hot gas or electric burner, or in a heated oven.
12. Extreme caution must be used when moving an appliance containing hot liquids.
13. Prior to connecting or disconnecting the plug from the wall outlet, turn any control to Off.
14. This appliance is for Household Use Only. Do not use appliance for other than its intended use.
15. Do not leave unit unattended while in use.
16. Never touch, move or disassemble the appliance while in operation or when hot.
17. Do not operate the appliance in a confined area, near heat sources or water.

18. Always operate the appliance in a well ventilated area. Avoid the appliance coming in contact with flammable materials while operating including clothes, curtains, etc.
19. Do not use butter, oil, water, seasoning or any other substances other than kernels in the Popping Chamber.

SAVE THESE INSTRUCTIONS

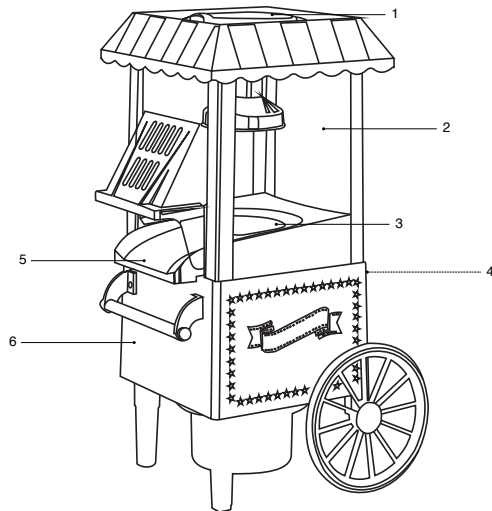
HOUSEHOLD USE ONLY

POLARIZED PLUG

This appliance has a polarized plug (one blade is wider than the other). To reduce the risk of electric shock, this plug will fit in a polarized outlet only one way. If the plug does not fit fully in the outlet, reverse the plug. If it still does not fit, contact a qualified electrician. Do not modify the plug in any way.

DESCRIPTION OF PARTS

1. Measuring Scoop
2. Cover
3. Popping Chamber
4. On/Off Switch (not shown)
5. Chute
6. Base



BEFORE FIRST USE

1. Remove all packaging.
2. Wash the Cover and Measuring Scoop with a soft cloth in warm soapy water.
3. Dry thoroughly with a soft cloth.
4. Wipe outside of Base with a damp cloth and dry.

IMPORTANT: Never immerse Base in water or any other liquid.

HOW TO USE

1. Assemble the appliance then place on a flat, heat resistant surface.
2. For best performance, use 1 full Measuring Scoop of kernels. Pour the full amount of kernels through the hole in the Cover.

IMPORTANT:

- **DO NOT** underfill or overfill the Measuring Scoop. Underfilling the Scoop can cause fewer kernels to pop and more kernels to come out from the Chute during popping. Overfilling can cause the kernels to burn and smoke.
 - **DO NOT** add oil or butter to the Popping Chamber.
 - **DO NOT** pop kernels without the Cover in place.
3. Place the Measuring Scoop back into its place in the Cover or use the Measuring Scoop as a butter melting cup if buttered popcorn is desired. Place up to 2 tablespoons (30 mL) of butter or margarine into the Measuring Scoop then place back in position on top of the Cover. **DO NOT** overfill the Measuring Scoop. The butter will melt while the popcorn is popping.
 4. Place a large (3 L/Q) heat resistant bowl under the popping chute. NOTE: If using a metal bowl below the Chute use oven mitts to remove it after the popping cycle as it will become very hot.
 5. Plug unit into a 120 volt AC outlet. Press the On/Off Switch to the On position.
 6. Popping will only take a few minutes. When kernels have fully popped, press the On/Off Switch to the Off position then unplug the appliance from the wall outlet.
 7. If butter or margarine was added to the Measuring Scoop, use oven mitts or pot-holders and remove the Measuring Scoop by the handle. Pour butter or margarine over the bowl of popcorn.
 8. Any remaining popcorn in the Popping Chamber can be removed by tilting the appliance forward. NOTE: The Cover will be hot, use oven mitts or potholders.
 9. Eat popcorn as is or add your favorite toppings such as: salt and pepper, popcorn seasoning salts, butter or margarine, caramel, Parmesan cheese and more....

ADDITIONAL BATCHES

1. Before popping an additional batch allow the unit to cool for 15 minutes. If there is any unpopped corn remaining in the appliance, remove it from the base before starting a new batch.
2. If the Measuring Scoop was used to melt butter or margarine, wash before using to measure kernels.
3. **IMPORTANT:** If the unit overheats, it will stop automatically and restart after it has cooled down. **DO NOT** leave the Corn Popper plugged in if it has stopped automatically.

HELPFUL HINTS

1. The appliance is designed for all regular and premium brands of popcorn. Yellow popcorn kernels generally pop larger than white kernels. Organic kernels are not recommended for this appliance.
2. To help retain the moisture content of the kernels, always store in an airtight container at room temperature or in the refrigerator.
3. Kernels that are old or dried out will not pop properly. You can freshen kernels by putting them into an air tight container. Add 1 tsp. (5 mL) of water for each cup of kernels. Place the container in the refrigerator and shake twice a day for 3 days. After 3 days, they are ready to use.
4. The Cover and Measuring Scoop become hot during use and should only be handled using oven mitts or pot holders.
5. The popped corn is hot and care should be taken to ensure that children are kept clear of the popping chute.
6. Do not run the appliance for longer than one cycle then allow it to cool for 15 minutes.
7. Never add any ingredients, except kernels, to the Popping Chamber.

CARE AND CLEANING

1. Allow Corn Popper to cool.
2. Remove the Cover and invert the Corn Popper Base to remove any unpopped kernels from the Popping Chamber.
3. Wash the Measuring Scoop and Cover in warm soapy water.
DO NOT place in the dishwasher or use abrasive cleaning or scouring pads.
4. Wipe the outside of the Base with a damp cloth.
DO NOT IMMERSE THE BASE IN WATER OR ANY OTHER LIQUID.
5. Ensure that all parts are completely dry before reassembling.
6. Store in a cool dry place.
7. All servicing, other than cleaning should be performed by an authorized service representative. See Warranty section.

A short supply cord is provided to reduce the hazards of becoming entangled in or tripping over a long cord. Extension cords may be used if care is exercised in their use. If an extension cord is used, the marked electrical rating of the detachable power-supply cord or extension cord should be at least as great as the electrical rating of the appliance. If the appliance is of the grounded type, the extension cord should be a grounded 3-wire cord. The extension cord should be arranged so that it will not drape over the counter top or table top, where it can be pulled on by children or tripped over.

LIMITED WARRANTY

The original sales receipt is the only acceptable proof of purchase

Salton Appliances (1985) Corp. warrants that this appliance shall be free from defects in material and workmanship for a period of two (2) years from the date of original purchase. Salton Appliances (1985) Corp., at its sole discretion during this warranty period, will repair or replace a defective product or issue a refund. Any refund to the purchaser will be at a pro-rated value based on the remaining period of the warranty. All liability is limited to the amount of the purchase price. This warranty covers normal domestic usage and does not cover damage which occurs in shipment or failure which results from alteration, accident, misuse, abuse, glass breakage, neglect, improper maintenance, use contrary to the operating instructions or commercial use. This warranty is not available to retailers or other commercial purchasers or owners.

This warranty does not include the cost of shipping, which is to be borne by the customer.

TO OBTAIN PROMPT WARRANTY SERVICE:

Contact one of our many Service Centers found on our website
www.salton.com/customer-care

or

Securely package and return the appliance to us. Please enclose:

- Original proof of purchase
- The completed form below with a \$12.50 Return Shipping & Handling fee – either a cheque, money order or credit card (A personal cheque will delay return shipping by 2-3 weeks)

For added protection, we suggest that you use an insured delivery service with tracking information when returning your product. Salton Appliances (1985) Corp. will not be held responsible for in-transit damage or for packages that are not received.

This warranty does not include the cost of shipping, which is to be borne by the customer.

.....

Name _____

Address _____

City _____ Prov/State _____ Postal/Zip Code _____

Daytime Phone No. _____ Email _____

Product defect: _____

Type of payment Cheque/Money Order Visa MasterCard

Name on card _____ Expiry Date _____ CSV No _____

Card No. _____

To contact our Customer Service Department:

Salton Appliances (1985) Corp.
81A Brunswick,
Dollard-des-Ormeaux, Quebec H9B 2J5
Canada

Telephone: 514-685-3660 (Ext. 226)
E-mail: service@salton.com
Fax: 514-685-8300
www.salton.com